

Steamgenerator NV.1250x450

Technical Data:

Diameter of steam outlet:	4 x Ø 4 mm
Volume of steam tank:	50 l
Connection:	240 V 50 Hz
Steam hose (Diameter and Length):	Ø 8 mm x 3000 mm
Dimensions (W x H x L):	450 mm x 950 mm x 1250 mm

Technical data are subject to change



Fig. 1 Steamgenerator

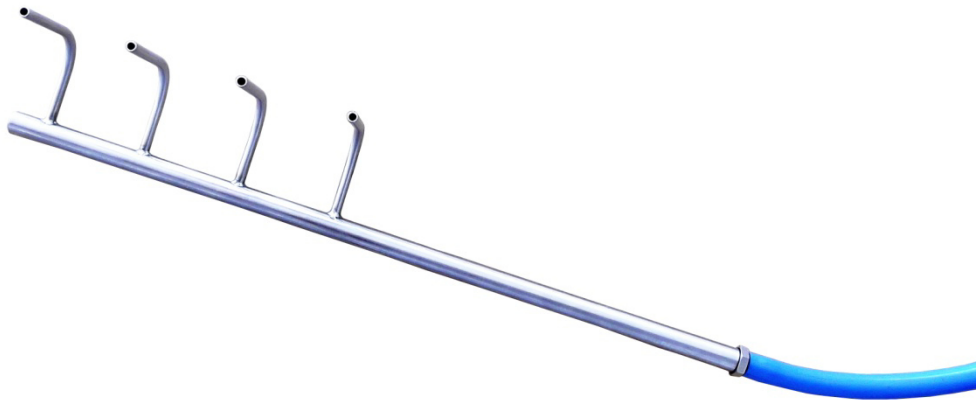


Fig. 2 Steam lance

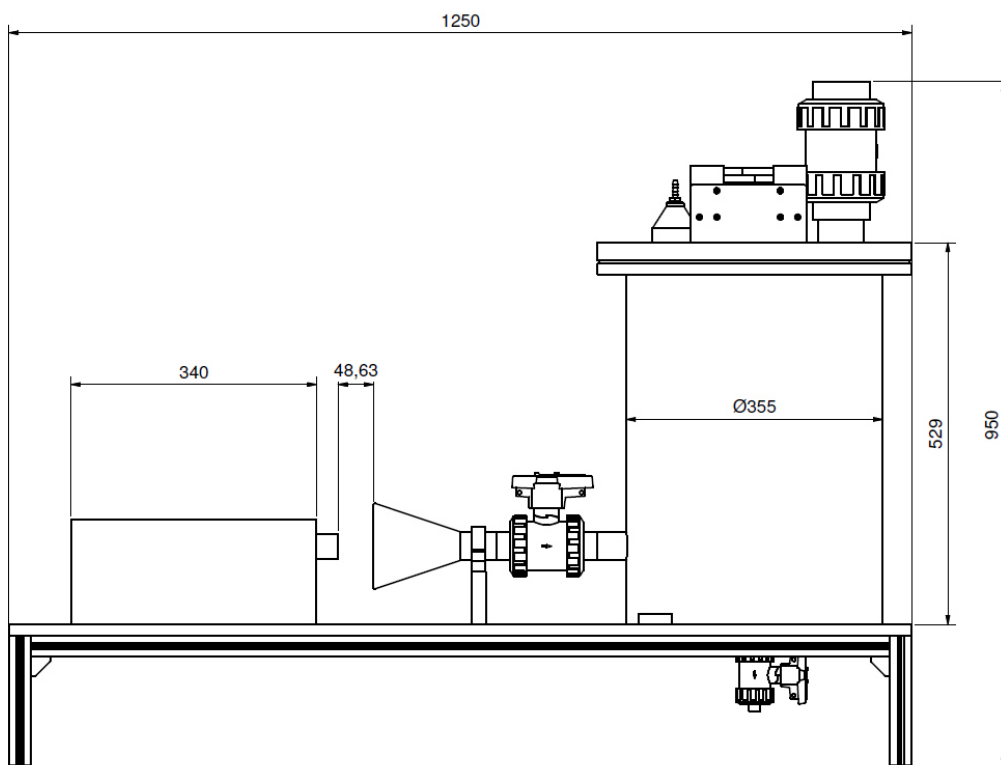


Fig. 3 Drawing of steam generator